

STEIGER® SERIES TRACTORS

CASE II
AGRICULTURE


STEIGER®

SERIES TRACTORS



STEIGER STRONG

CASE II
AGRICULTURE



For 60 years, Case IH Steiger series 4WD tractors have powered successful operations worldwide. Today's lineup includes seven models in 42 configurations — there's a Steiger tractor that fits most applications and operations. Driving this wide range of possibilities is innovation, like the new CVXDrive™ continuously variable transmission (CVT) that automatically finds the perfect balance of power and efficiency for every application from planting to laying field drainage tile. Decades of advancements like this — backed by industry-leading Case IH power — are designed to help rethink what's possible on your operation. In farming today, it all makes a difference — power, performance, productivity and comfort. And, most importantly, it all needs to work together. Steiger tractors represent the most powerful equipment, built and backed by the right expertise, to help producers achieve High-Efficiency Farming. That's the strength behind the legacy of Case IH Steiger tractors.





INNOVATION THAT TRANSFORMS WHAT'S POSSIBLE.

7 Models | 370–620 HP | 425–682 Peak Engine HP

STEIGER STRONG: NEVER COMPROMISE POWER FOR VERSATILITY.

STEIGER SERIES TRACTORS

Forged Through Relentless Innovation.	4–5	Tour the Steiger 620 Tractor with PowerDrive Powershift.	24–25
High-Efficiency Farming	6–7	Comfort that Keeps You Going	26–27
The Steiger Family: Ready for Anything	8–9	Turn Potential into Profit.	28–29
Every Hero Needs a Superpower	10–11	Technology in the Field: AFS for Field Prep.	30–31
Not Just EPA Compliant — On-Farm Compliant	13	Technology in the Field: AFS for Plant & Seed	32–33
Time-Tested Tier 4 Technology	14–15	Innovative Production Exclusive to Case IH.	34–35
For the First Time, a Choice of Transmissions.	16–17	Rowtrac™ — Quadtrac Technology for Row Crop Applications	36–37
CVXDrive: Giving You More Control Over Power	18–19	Maximum Uptime Is Always on Our Mind.	38–39
How CVXDrive Turns Possibility into Productivity	20–21	More than Just Tractors Work in Our Fields	40–41
Tour the Steiger 540 Quadtrac® with CVXDrive.	22–23	Product Specifications.	42–43



SUPERIOR PERFORMANCE AND EFFICIENT POWER FORGED THROUGH RELENTLESS INNOVATION.

Your life is all about growing things — crops, livestock, your business, even your family. For 60 years, Steiger series tractors have helped producers like you get more from the job in demanding conditions — and do it all in comfort. Every year, Case IH is committed to finding new ways to help you maximize your yield potential and return on investment, while at the same time minimizing your fuel and fluid consumption, work hours and stress. Everything on a farm makes a difference, and it all needs to work together. And once it works, Steiger looks for how it can work even better.



UNMATCHED 4WD ADAPTABILITY.

From 370 to 620 horsepower, seven Steiger models with 42 different configurations provide versatility that can be customized to any application and operation.

- Durable, effective and reliable models that include Quadtrac® and **exclusive row crop four-tracked systems**, which are easy to steer and also reduce, or eliminate, berming.
- Unparalleled power to the ground and **unprecedented durability** to pull even the heaviest loads and stand up to the toughest conditions.
- Choice of transmissions: time-tested and fuel-efficient **PowerDrive powershift** or the intuitive and easy-to-operate new **CVXDrive continuously variable transmission**.

INCREASED PRODUCTIVITY.

Producer input is the driving force behind every Steiger tractor design enhancement.

- From standard features like **exclusive full-cab suspension** and superior **360-degree** visibility to creature comforts including a **40-degree swivel seat** and **split-wide electric mirrors**, Steiger tractors are designed for comfort and productivity.
- An **advanced steering system** provides greater control with less input to reduce fatigue and keep producers in the field longer. It acquires the guidance lines 20 percent faster than the previous system, providing smoother steering — more like that of a car.
- **AFS AccuTurn™ automated headland turning** takes out the guesswork with hands-free, automatic and repeatable turns for consistent accuracy — from planting to harvest and every pass in between.



GET MORE DONE WITH LESS.

The **Nebraska Tractor Test Laboratory** — the ultimate proving grounds — demonstrated exactly what we mean by Steiger Strong: producers get power, performance and productivity that leads to lower total cost of ownership.

- Tests at the Nebraska lab found the complete Steiger tractor lineup (370 to 620 horsepower) features **best-in-class power, torque and overall fluid efficiency.**
- Better yet, the **Steiger 620 PowerDrive powershift-wheeled and 620 Quadtrac** tractors led the competition in horsepower-hours per gallon, drawbar horsepower performance and pounds of maximum pull.
- For producers, this means more power to the ground and implements, better fluid efficiency and reduced fluid and labor costs.
- **Patented Selective Catalytic Reduction (SCR) technology** uses fewer components; it's a simpler, cleaner system for meeting emissions requirements. It also delivers industry-leading **600-hour oil change intervals.**



CREATE A BETTER GROWING ENVIRONMENT.

The **High-Efficiency Farming** approach that's built in to all Steiger tractors and Case IH equipment helps maximize every input and every season.

- Consider how even the smallest improvements — such as **exclusive footrest pegs** on your tractor or **automatic pin drop**, for easy single-operator implement hookup — could make a big impact.
- Rethink productivity to improve input precision; the answer could be a smooth-shifting PowerDrive or an efficient CVXDrive to save fuel expenses.
- Remove the limitations on any operation and let go of assumptions about how to operate.

HIGH-EFFICIENCY FARMING: CHALLENGING THE LIMITS OF EVERY INPUT, IN EVERY FIELD, IN EVERY SEASON.

For over 60 years, our innovative Steiger designs have given producers more control over their operation than ever before. Based on input from our field team and producers like you, our engineers have continued to advance the Steiger tractor line to be more fluid-efficient, more comfortable and more capable of optimizing challenging conditions. Because the opportunities are out there, and every improvement we make to a Steiger tractor helps producers get the most from them.



GET IN THE FIELD SOONER.

- Maximize yields and profits by getting seeds and other inputs in the ground at precisely the right time.
- Steiger tractors are designed to **take advantage of those brief windows** when the conditions for preparing, planting or other applications are perfect.
- The Steiger is capable of handling the industry's largest implements.

CREATE A BETTER GROWING ENVIRONMENT.

- With **exclusive Case IH five-axle Quadtrac technology** and larger row crop tire offerings, producers get minimized soil compaction and a better soil environment.
- **Steiger Quadtrac and Rowtrac™** configurations eliminate pinch rows and berming in turns. Two-track designs can't do that.
- With multiple track widths and row-spacing options, the proven **exclusive Case IH Rowtrac four-track design** provides a balanced and continuous footprint for maximum traction with minimum compaction, preserving a better soil environment.

PREPARE A HIGH-EFFICIENCY SEEDBED.

- In the spring, a **Steiger wheeled tractor**, paired with a **Tiger-Mate™ 255 field cultivator**, creates a firm, level seedbed surface and subsurface — or what we call a **high-efficiency seedbed**.
- This ideal seedbed warms the soil for quicker dry-down, which allows for earlier planting from the **2000 series Early Riser® planter**, improves soil tilth for better seed-to-soil contact, and allows faster germination and uniform crop emergence.
- Steiger tractors also offer **high-flotation row crop tires** for lowering compaction and staying within the rows. These are the tallest row crop tires available in the market.



MANAGE AND MIX RESIDUE.

- A Steiger wheeled and/or Quadtrac tractor with an Ecolo-Tiger® 875 disk ripper is the gold standard in High-Efficiency Farming.
- This duo effectively fractures root-limiting compaction, sizes residue for rapid nutrient cycling, mixes crop residue to limit erosion and levels soil to provide uniform seedbed conditions for increased production capacity.
- Steiger wheeled tractors have a longer wheelbase combined with **high-flotation tires**, providing more traction with less compaction, even under heavy loads.

CUT AND MIX TOUGH ROOTS.

Run at faster speeds for more productivity with **exclusive vertical tillage design** and Steiger high horsepower. A **Steiger wheeled tractor** with True-Tandem™ 335 Barracuda vertical tillage:

- Slices up to 4 inches deep to cut tough root crowns
- Removes surface soil crusts and weeds
- Mixes the residue and levels the soil — in fall or spring

OUR BEST EXPERTS, YOUR BEST PRACTICES.

Just like you, the **Case IH product development team** wakes up every morning with a passion for continuous improvement.

- Our product development team is made up of experts with decades of field experience.
- They have spent years in their own fields and yours, understanding what it takes to be a successful producer.
- Every phase of design is informed by that level of knowledge and agronomic principles. The result is better equipment.

THE UPDATED STEIGER FAMILY: READY FOR ANYTHING.

Vegetable growers, producers from corn, soybean and wheat farms, and contractors alike will find a fit for their operations in the power and versatility of the seven models and 42 versions that make up the Steiger family of tractors. As the leader in 4WD industry innovation, this lineup is ready for handling large-scale planters and tillage tools, moving tons of earth and operating nimbly between emerging crop rows. That's what it means to be Steiger Strong — a combination of power, performance, flexibility and operator comfort that is unequaled.



MORE OPTIONS BUILT PRECISELY FOR YOUR OPERATION.

Whether you're pushing silage, moving snow or pulling the largest implements available, there is a Steiger configuration built for the job. Choose from 42 configurations to find the best fit to increase power, performance and productivity in your operation.



WHEELED.

The configuration that started it all, Steiger wheeled tractors are ready to work in any and all conditions.

- 4WD force makes Steiger tractors ideal for everything from pulling large planters and strip-till rigs to pushing silage and towing grain carts.
- Get more traction and less compaction with a longer wheelbase and Case IH also offers the **tallest row crop tires in the industry – 480/95R50R1W** – available for the Steiger 370, 420 and 470.

ROWTRAC.

The Steiger Rowtrac tractor's four-track positive drive system is the only factory-integrated drive system of its kind in the world.

- **Exclusive five-axle design** provides a balanced and continuous footprint to maximize traction, even when conditions are less-than-ideal.
- Four points of ground contact to deliver more power to the ground with less compaction.
- Track widths and axle configurations to meet the needs of 20-, 22-, 30- and 40-inch rows.
- Less compaction to cover more ground in less time for early planting and seeding, and postemergence crop work.

QUADTRAC.

More than 20 years of industry-leading track technology can be found in every Steiger Quadtrac tractor, which features four individually driven, positive-drive oscillating tracks.

- **Exclusive five-axle design** distributes weight evenly and consistently for increased traction with less compaction.
- Each track maintains constant contact with the ground, giving the producer a great ride, optimal pressure, superior flotation and better traction.
- Tri-point oscillation offers strength and durability.

SCRAPER.

Steiger scraper models are proven workhorses on construction sites, moving earth at the lowest possible cost per yard.

- Five models — with wheeled and track options — mean the operator can match tractor power to the scraper system (carry-all or ejector, single or tandem).

EVERY HERO NEEDS A SUPERPOWER. STEIGER TRACTORS MAKE YOURS 'EFFICIENT POWER.'

What you have to accomplish as a producer is nothing less than heroic. You need all the power you can get. Case IH Steiger tractors deliver the most power and best fluid efficiency in the industry. And because they're engineered to hold up to the heavy demands of high-horsepower work, Steiger tractors are a popular choice for construction projects around the world. The same technology that helps the Steiger hold up to the toughest conditions anywhere offers several benefits to your operation. And, it gives you more usable horsepower when and where it's needed.



EFFICIENT POWER **EP**
MORE PRODUCTIVITY • LESS FUEL

PUT THE STRONGEST TRACTOR ON THE MARKET TO WORK FOR YOU.

All Case IH FPT high-horsepower engines use common rail fuel-injection systems for quieter, more efficient operation and are built heavier than competitive engines with higher displacement. And thanks to the built-in 10 percent power growth capabilities, the Steiger 620 delivers 682 peak hp in difficult conditions — like when the hydraulics need a little extra muscle to get through a tough spot, or if there is a sudden demand for more transport speed or PTO power.



4WD FORCE TO BOOST ROW CROP OPERATIONS.

Steiger tractors give a producer all the horsepower anyone could ask for — and a solid design that lets them use it.

- 370, 420 and 470 row crop Steiger wheeled tractors are built tough to take advantage of the large planters and rip strip rigs that increasingly make 4WD an ideal choice.
- **Long wheel base, narrow-frame tractors** that offer a better ride and put more power to the ground.
- Standard heavier, thicker steel frame and longer wheelbase with Tri-point Oscillation helps produce optimal performance.
- **Factory-installed engine braking option** is available on all 12.9-liter engine models to save wear and tear on brake pads and provide additional control when pulling your largest implements on hilly roads.

HEAVY-DUTY COMPONENTS THAT STAND UP TO THE TEST.

Putting this much horsepower to the ground also puts a lot of torque on the axles, wheels or tracks, and frame. Here's how we've built our tractors to stand up to those demands:

- Steiger 580 and 620 tractors feature a 5.5-inch axle with increased gear teeth and 18-bolt hubs, which provides more torque-load-handling capabilities.
- All Steiger tractors have a **frame built of 1/2-inch-thick steel** and a **longer wheelbase with built-in weight** — an advantage in the field compared with other tractors in the industry with smaller axles, 10-bolt hubs and 3/8-inch-thick steel frames.
- Up to **20,000 pounds of hitch-lift capacity**.

HANDLE YOUR BIGGEST IMPLEMENTS.

The Steiger hydraulic system is designed to maintain control without compromising performance.

- Heavy-duty drivetrain components, 113-gallon-per-minute hydraulic flow and industry-leading power growth, up to 682 peak horsepower, handle the largest implements.
- An optional second hydraulic pump provides exactly the required hydraulic flow for even the biggest planters and air seeders in the industry.
- Electronic precision remote, quick-connect valves make operation even more efficient by maintaining **precise flow and pressure**, even in the most severe conditions.
- Set the system to a producer's preference, and it adjusts for changing temperature conditions throughout the day.



HIGH-PERFORMANCE AND EFFICIENT ENGINES.

Today, there are more than 71,000 Case IH FPT high-horsepower engines with nearly 36 million operating hours at work in North America. These Tier 4 B/Final engines — featuring common rail fuel systems and a patented Case IH FPT SCR-only emissions system — offer power, performance and fuel economy with no active exhaust cleaning required. They also deliver more low-end torque to allow the engine to lug down and recover more quickly.



12.9 L and 8.7 L engines



425 peak horsepower at 1,800 engine RPM

462–682 peak horsepower at 1,900 engine RPM

CASE IH FPT 8.7-LITER ENGINE.

The Steiger 370-hp row crop tractor is powered by the same engine found in Magnum™ tractors and Axial-Flow® combines since 2006.

CASE IH FPT 12.9-LITER ENGINE.

Steiger 420, 470 and 500 models feature a **single-stage turbocharger** with a common rail fuel system.

Steiger 540, 580 and 620 models feature a **two-stage turbocharger system with separate cooling systems for each turbocharger**. This delivers 30 percent faster response under load.

- A factory-installed engine-braking option is available on all 12.9-liter engine models

CARED FOR BY CASE IH EXPERTS FROM CONCEPT TO CALIBRATION.

The engines in Steiger tractors are built by Case IH sister company FPT Industrial, which has manufactured more than **640,000 SCR engines** in 2016 alone and is among the top engine manufacturers in the world.

- Case IH and FPT engineers, design and test these engines at the Burr Ridge, Illinois, facility. That's the same place where our high-horsepower tractors are engineered, ensuring we maintain an exceptional standard of durability and reliability.
- The close alliance between Case IH and FPT also means that Case IH service technicians are expertly trained to maintain engines at any local Case IH dealership.

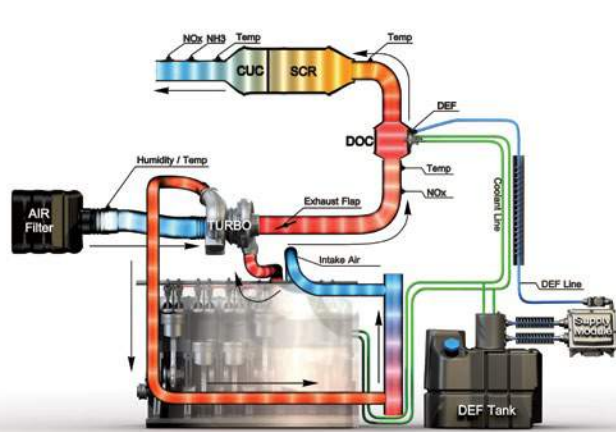
TIME-TESTED TIER 4 TECHNOLOGY PRODUCERS HAVE COME TO RELY ON.

Since the first phase of Tier 4 emissions regulations went into effect, Case IH has been committed to a solution based in Selective Catalytic Reduction (SCR). Case IH chose the patented SCR-only emissions system because it works outside engines and allows them to run at their best, without modification or compromise. Because it helps save diesel fuel and increase power. Because it means engines last longer with less routine maintenance. And because all those small details add up to give producers more power, performance and productivity. From the start, Case IH went with the technology that was right — tried, true and tested in all applications. Now that's High-Efficiency Farming that delivers results.



PATENTED CASE IH TIER 4 B/FINAL SOLUTION.

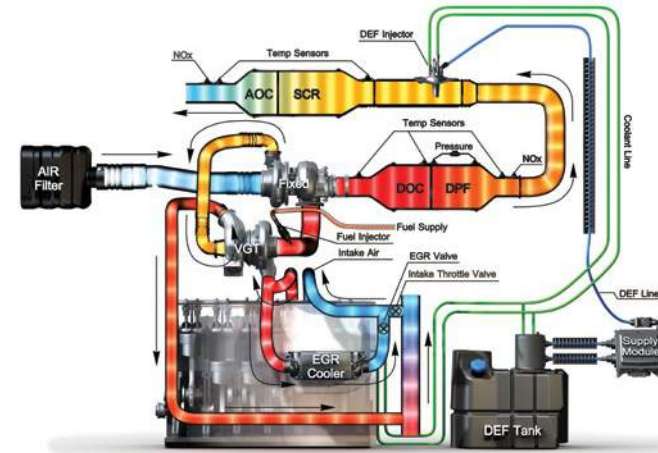
Case IH FPT was the first to deliver innovative SCR-only technology. This patented technology lets Case IH achieve Tier 4 B/Final standards without adding EGR and DPF components to the powertrain system. Because Case IH FPT engines run cleaner and cooler, you reap the benefits of better fluid efficiency. In the Nebraska Tractor Test Laboratory, that efficiency translated to 2.2 percent lower fluid operating costs across all Steiger tractor models than with comparable competitive models. Now that's High-Efficiency Farming technology that delivers results.



SCR-ONLY SOLUTION: CLEAN AND SIMPLE.

The Case IH FPT SCR solution is a true exhaust after-treatment system, with all of the emissions components located on the exhaust and downstream from the engine.

- Single SCR-only solution does it all with class-leading power that does not compromise efficiency.
- Treats exhaust outside the engine, without added complexity.
- Service requirements and engine exposure to soot and carbon minimized.
- Easy to service with industry-leading 600-hour oil change.
- Patented SCR-only Tier 4 B/Final design delivers 95 percent NOx conversion efficiency versus competitive systems that provide only 80 to 85 percent efficiency.
- Designed to optimize fuel efficiency.
- Case IH FPT SCR-only patented engines are the benchmark for engine technology in the agriculture industry.



COMPETITIVE SOLUTION: CLUTTERED AND COMPLEX.

If it looks a little cramped and cluttered in the engine compartment of a tractor with an EGR/Diesel Particulate Filter (DPF)/SCR emissions system, that's because it is.

- Operating this system means compromised performance and more complexity (and heat) than is ideal.
- Added engine parts throttle back power and performance.
- EGR valve means higher operating temperatures and fuel costs.
- More parts, more service, more maintenance expense.
- Competitive tractors with these same systems are more complex, have more hardware and will trap more dirt and debris.

System component size varies from one machine application to another. Component sizes shown here are approximate and not to scale.

A CHOICE IN TRANSMISSIONS TO GET THE MOST FROM YOUR WORK.

The proven Case IH PowerDrive powershift and new CVXDrive continuously variable transmissions will perform in any application, but choosing the one that best fits your operation can lead to even greater precision and productivity from your Steiger tractor.



Steiger Wheeled, Quadtrac, Rowtrac Product Lineup

Model	370	420	470	500	540	580	620
Peak Engine Power	425	462	517	550	605	638	682
PowerDrive Transmission (Standard)	✓	✓	✓	✓	✓	✓	✓
CVXDrive™ Transmission (Option)	✓	✓	✓	✓	✓	NA	NA
Row Crop Narrow Frame	✓	✓	✓	NA	NA	NA	NA
High Power Wide Frame	NA	NA	NA	✓	✓	✓	✓
Heavy-Duty Wheeled	✓	✓	✓	✓	✓	✓	✓
Ag Rowtrac Version	NA	✓	✓	✓	NA	NA	NA
Ag Quadtrac Version	NA	✓	✓	✓	✓	✓	✓
Scraper Heavy-Duty Wheeled	NA	NA	✓	✓	✓	✓	✓
Scraper Quadtrac Version	NA	NA	NA	✓	✓	✓	NA



PowerDrive
Powershift Transmission
370–620 HP | 682 peak HP



CVXDrive
Continuously Variable Transmission
370–540 HP | 605 peak HP

POWERDRIVE POWERSHIFT.

The time-tested and proven PowerDrive powershift offers reliably smooth shifting and reduces operator fatigue, along with Diesel Saver™ Automatic Productivity Management (APM) to save fuel.

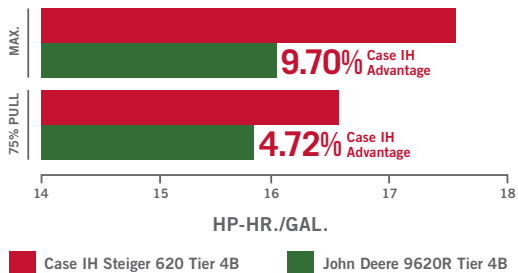


THE HIGH-EFFICIENCY POWERDRIVE.

The rugged Case IH PowerDrive powershift transmission is featured on all Steiger tractors. The 2017 Nebraska Tractor Test Laboratory proved the Steiger 620 tractor, featuring a PowerDrive transmission, generated the most fluid-efficient horsepower and maximum pull in the world.

Nebraska Test Data: Drawbar Fuel Efficiency:

Case IH Steiger 620 Tier 4B vs. John Deere 620R Tier 4B



THE DEPENDABLE TRANSMISSION YOU'VE COME TO LOVE JUST GOT BETTER.

The PowerDrive transmission was designed for efficient operation that helps a producer work more productively. In fact, Case IH engineering tests have proven the enhancements to the PowerDrive can save up to 5 percent horsepower.

- **Twenty percent faster shifting speed** for faster and smoother shifting, especially while roading or transporting equipment between fields.
- **Up to 38 percent quicker shuttle shift speeds** for moving faster from forward to reverse. Not only is shifting faster, there's also a smoother change of direction.
- The PowerDrive transmission also features larger, helical-cut gears and clutch packs that deliver years of service while transmitting up to 682 peak hp to the ground for large-scale farming.

KEY APPLICATIONS.

Improve overall productivity with Diesel Saver APM, proven to save fuel. It also helps a producer work more simply, with easier, more positive shifts by maintaining constant clutch pressure.

An example of the Diesel Saver APM at work: while planting at a constant 6 mph, a producer can save up to 24 percent on fuel and still achieve the desired plant population. The PowerDrive is ideal for tillage and scraper applications, as well as planting, seeding, spraying and more.

"I was impressed it didn't burn that much more fuel as we went up in speed. The [fuel] efficiency almost got better at the higher speeds."

– Kurt Druffel
Pullman, Washington

CVXDRIVE: GIVING YOU MORE CONTROL OVER THE MOST EFFICIENT POWER AVAILABLE.

The first continuously variable transmission engineered for an articulated 4WD tractor, CVXDrive represents the highest-horsepower continuously variable transmission in the industry — 605 peak hp on Steiger 540 hp models. It provides all new opportunities for your operation or line of work. Once the speed is set, the operator is free to focus on the application for improved performance. And CVXDrive provides steady speed change to maintain full power to the ground at speeds as low as 3 feet per minute.

HERE'S WHAT PRODUCERS HAVE TO SAY ABOUT THE CVXDRIVE.

"I'd never driven a CVT before today. Within about 10 minutes of running the tractor, it just became apparent, wow, this is a game changer for an auger wagon and for a planter."

– **Brad Wade**
McLean, Illinois

"It operates more like a pickup driving down the road. It's just like a cruise control on your vehicle."

– **Michael Clemens**
Wimbledon, North Dakota

"There're a lot of advantages for the speed. I can go from a working speed down to an extremely slow speed."

– **Gary Tappauf**
Central Alberta, Canada

NEW TRANSMISSION. SAME DEPENDABLE STEIGER FRAME.

The CVXDrive is not just a new transmission. It's an intelligent transmission designed specifically for the rugged Steiger frame and paired with advanced controls and technology found in Maxxum®, Optum®, Puma® and Magnum continuously variable transmission tractors.

- Tri-point Oscillation
- Structural steel fuel tank
- Heavy 5-in. bar axles
- Available in Quadtrac, Rowtrac and wheel versions

ADVANTAGES OF CHOOSING THE CVXDRIVE.

- **Precise speed changes:** 3 feet per minute up to 25 mph.
- **Seamless acceleration:** three times faster for maximum comfort and speed changes on the go — without stopping and breaking power to the ground.
- **Continuous hydraulic flow:** greater precision and control over inputs, whether planting, seeding, fertilizing or spraying.
- **Faster shuttling:** seamless forward and reverse movement increases productivity and efficiency. At any speed, in either direction, the engine always delivers full power to the ground.
- **Fuel efficiency:** CVXDrive automatically balances power and efficiency, reducing fuel consumption in applications that require frequent roading, shifting or shuttling.



With easy-to-use controls, even novice operators turn into experienced users, maximizing efficiency, power and productivity. From traditional row crop applications to work that demands continuous hydraulic power at precise speeds, the new CVXDrive gives your operation an edge that only Case IH can deliver.

EASY-TO-USE CONTROLS — SET IT AND FORGET IT.

- The CVXDrive automatically selects the most efficient transmission range once the operator sets the desired speed, eliminating the need for using the clutch and shifting.
- With the click of a button, easily switch between three **exclusive** preset speeds.
- Features familiar controls, including the integrated split-throttle on the **MultiControl Armrest** found in Magnum, Optum, Puma and Maxxum CVXDrive tractors.
- In addition to the **MultiFunction Handle**, an **accelerator pedal** controls the tractor, delivering greater control when hooking up implements, packing/pushing loose material, loading and more.
- **Active stop** holds the tractor stationary on any terrain, making it easier to start and stop on inclines without using the clutch and brake.



HERE'S HOW CVXDRIVE TURNS POSSIBILITY INTO PRODUCTIVITY.

Steiger CVXDrive tractors have no off-season. Discover how the new CVXDrive puts you in greater control of every application — from planting to harvest. In every application and at every speed, simply set the split-throttle to your desired engine range, and field speed will be maintained.



PLANTING AND SEEDING.

Make the most of short planting and seeding windows with the Steiger CVXDrive.

- Maintaining a consistent speed with constant hydraulic flow ensures **planting and seeding accuracy** — even in tough, fast-changing conditions.
- In situations where a producer would traditionally have to shift to maintain ground speeds — such as turning or covering rolling terrain — the CVXDrive keeps speed constant to maintain accuracy.
- Without needing to stop and shift, the air seeder fans receive **continuous hydraulic power** for more accurate populations, reduced plugging and optimal performance.

NUTRIENT APPLICATION.

Whether sidedressing nitrogen postemergence with a toolbar or performing strip-till in the spring or fall, the CVXDrive shines in nutrient application. With the CVXDrive, get the right speed and the right rate at the right time.

- Focus on **precisely controlling every input**.
- Using the intuitive CVXDrive controls, a producer sees less overlap, more accurate application and better overall crop health.

GRAIN CART OPERATION.

The CVXDrive ensures a producer's grain cart works in perfect harmony with the combine.

- Using the **exclusive preset controls**, switch easily between three preset speeds mid operation.
- Go from creeper speed to a high speed to catch up to the combine, then decelerate to match the combine's pace and fill on the go.
- The CVXDrive helps keep a producer's grain carts running so they can keep the combines running — there's **never a moment of downtime**.

HAULING HEAVY LOADS.

Steiger tractors with CVXDrive are ideal for pulling slurry tankers, forage carts, trailers and any load a producer's operation demands. With the Advanced Steering system, it drives like a pickup with features like preset speed control and active stop, which simplify road transport to keep producers moving — even under the heaviest loads.

"We use three different speeds a lot. For instance, in a grain cart, when you come up to the semi, you can put it to a slower setting, or when you're chasing the combine or dump on the go, you can put it to a faster setting. It's very easy to adjust."

– Trenton Toftoy
Newark, Illinois

CVXDRIVE: THE DO-IT-YOURSELF EXPANSION PACK.

The same tractor you use to plant with can also be used to perform multiple non-traditional ag operations, such as laying field drainage tile or working scraper jobs. The versatile efficiency of the Steiger CVXDrive strengthens the options available to your business or operation. Do more work and increase profit potential — without needing to hire a contractor.



TILE PLOW.

Spring or fall, pair the Steiger CVXDrive with a tile plow to improve subsurface drainage.

- Steady RPMs maintain more **power to the ground at speeds as low as 3 feet per minute.**
- Constant high-flow hydraulics and **low-speed torque** keep the tile plow set to grade, without stalling.
- Easier operation allows operators to focus on tile grade for improved performance.

SCRAPER.

A Steiger CVXDrive tractor-scraper combination is built to handle even the toughest scraper loading conditions with ease and efficiency.

- **Move more dirt for less cost** with low-speed loading and high-speed roading designed to increase performance for faster cycle times with reduced slippage.
- Responsive controls, including faster acceleration, smoother deceleration and preset speed options, help operators focus on proper cut depth and hydraulics needed to level the surface for **optimal water management, land leveling and construction job site applications.**

LOOSE MATERIALS PUSHING AND PACKING.

Simple shuttle operation: the engine delivers constant power to the ground at any speed, in either direction.

- Move from forward to reverse with one hand on the controller; the CVXDrive runs through its power range seamlessly.
- In applications like the **packing and pushing of loose materials** (e.g., silage, snow, woodchips), CVXDrive excels. The left hand manages forward/reverse, and the right hand operates a joystick.
- Change speeds with an easy push of the accelerator pedal.

TOUR THE STEIGER 540 QUADTRAC WITH CVXDRIVE.

Two **exclusive** Case IH technologies — **Quadtrac five-axle track design** and the **new CVXDrive continuously variable transmission** — combine to offer producers a wide range of possibilities to maximize opportunities in their field and for their operation. Take a closer look at exactly what goes into the Steiger Strong features that open up new paths to profit for you — right down to the paint job.

CVXDRIVE. ■

The first articulated high-horsepower four wheel drive tractor with a continuously variable transmission. Available in 17 configurations with up to 605 peak horsepower.



INTUITIVE CVXDRIVE CONTROLS. ■

An integrated split-throttle control on the MultiFunction Handle allows the engine to work throughout its entire range to achieve the perfect balance of power and efficiency. Once the operator sets the desired speed, the CVXDrive automatically selects the most efficient transmission range for the desired load — eliminating the need for clutching and shifting.



EXCLUSIVE DUAL COOLING SYSTEMS. ■

The Steiger 540, 580 and 620 feature a low-pressure cooling circuit system that provides increased power along with fuel efficiency. The two-stage turbocharger system includes a small turbocharger that delivers low-RPM responsiveness and a second, larger one for maximum boost at high RPMs. Each turbocharger has its own load cooling system to provide 30 percent faster response under load.





■ BRIGHT LIGHTS.

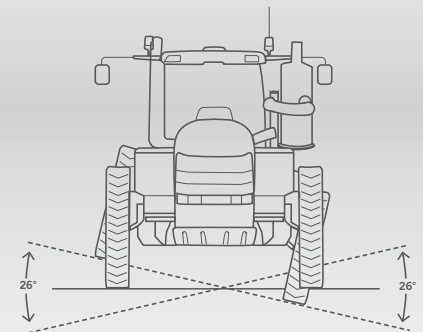
Available LED lighting packages provide daytime visibility during nighttime field work, improving productivity and safety at the end of a long day. High-visibility LED marker signals increase visibility to other vehicles when operating on the highway or side roads.

■ FACTORY-INTEGRATED PRECISION TECHNOLOGY.

Built directly into every Steiger tractor, Advanced Farming Systems (AFS) components, including the AFS Pro 700 display, AFS Connect™ telematics*, AFS AccuGuide™ autoguidance and AFS AccuTurn**, deliver intuitive precision farming solutions that reduce waste and increase efficiency year-round.

■ TRI-POINT OSCILLATION.

Tri-point oscillation provides the perfect mix of strength and balance when transferring power to the ground, from tillage and planting to nutrient placement and land leveling. Better yet, it's engineered into every Steiger tractor.



26 degrees of up and down oscillation.
For illustration purposes only.

■ EXCLUSIVE TRACK TECHNOLOGY.

Some equipment trends come and go, but producer feedback continues to prove that interest in tracks has never been stronger. The Steiger Quadtrac features four individually driven, positive drive, oscillating tracks. Each track puts five axles on the ground so it can bend and flex gracefully, maintaining constant contact with the ground for a better ride, optimal ground pressure, superior flotation and better traction.

*AFS Connect subscription required.

**AccuTurn can be activated by your local Case IH dealer for a one time fee.

TOUR THE STEIGER 620 TRACTOR WITH POWERDRIVE POWERSHIFT.

This is the machine that sets Case IH apart from all the rest. The Nebraska Tractor Test Laboratory proved the Steiger 620 with PowerDrive powershift transmission leads the industry in power. Yet, take a closer look at the features and details, which, in combination with efficient horsepower, drive lower total cost of ownership and make producers Steiger Strong.

PROVEN ENGINES. ■

The Case IH FPT engine has passed every challenge and is built with efficiency in mind. Case IH FPT 8.7-L and 12.9-L engines incorporate patented fluid-saving SCR-only technology for greater productivity and lower operating costs that produce more power using less fuel.

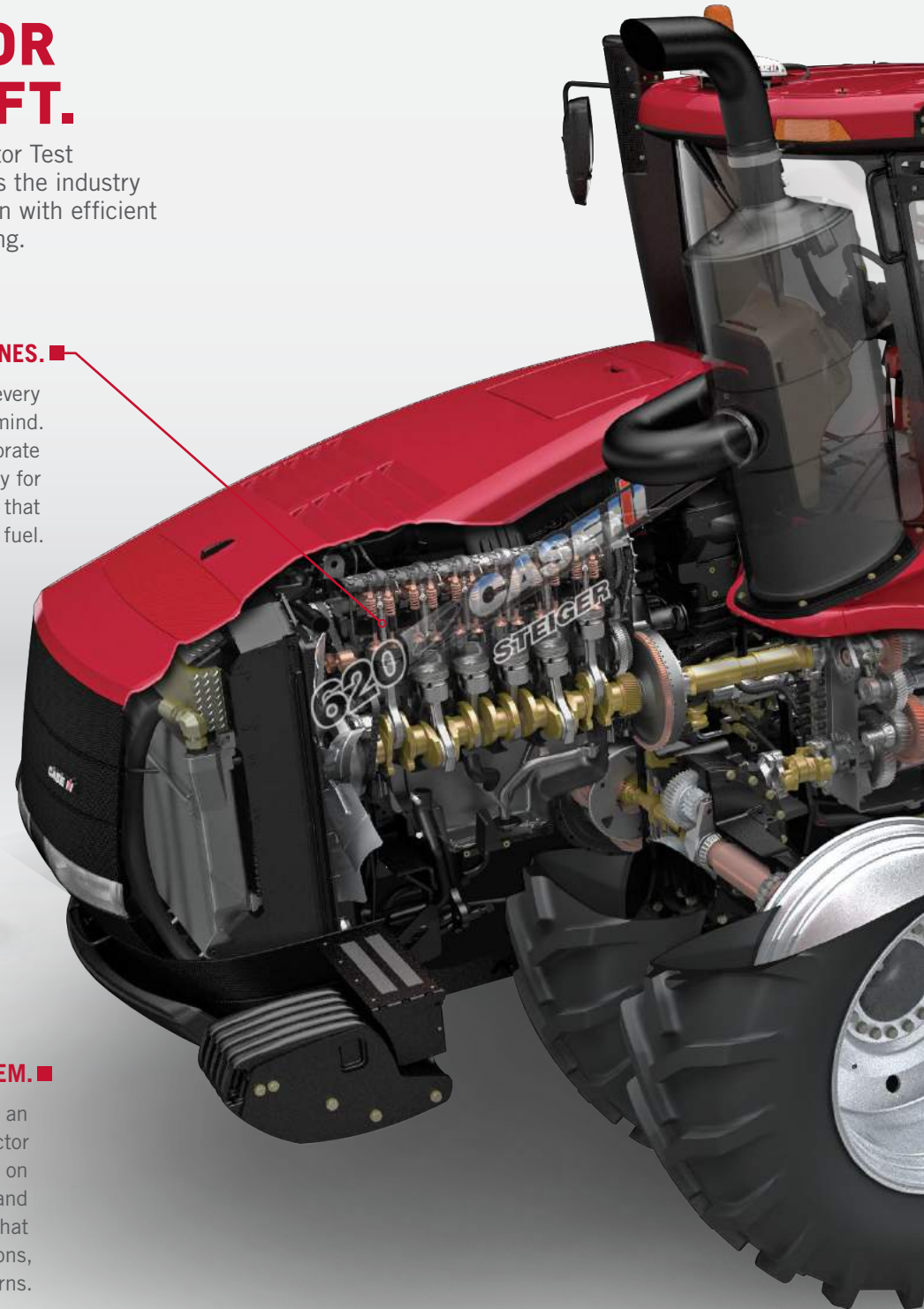
POWERDRIVE POWERSHIFT TECHNOLOGY. ■

The time-tested and fluid-efficient PowerDrive powershift does more than just shift gears. With the latest Steiger enhancements, it takes 20 percent less time to shift from first gear to 16th gear, saving you fuel, lowering operating costs and reducing fatigue. And during shuttle operation, a producer can change direction 38 percent faster than before.



STANDARD ADVANCED STEERING SYSTEM. ■

The Case IH Advanced Steering system that gives an operator smoother and more precise control of the tractor and implement at every speed now comes standard on every Steiger tractor. Transitioning between roading and field operations is easier. And unlike previous systems that required four full side-to-side-turns for field applications, this system only requires 3 ½ turns.





■ **STRUCTURAL STEEL FUEL TANK.**

Every Steiger fuel tank is made of durable structural steel, unlike competitive offerings. This important design difference adds additional weight and strength to the Steiger chassis.

■ **QUALITY PAINT GOES THE DISTANCE.**

What's on the inside is just as important as what's on the outside when it comes to equipment resale value. The Class 6 automotive paint found on all Steiger tractors is proven to last four to six times longer than paint that had previously been used, providing greater resilience to harsh UV sunlight for a long-lasting finish.

■ **STANDARD HEAVY-DUTY AXLES.**

All Steiger tractors feature massive heavy-duty axles that can carry up to 66,000 pounds of gross vehicle operating weight. These enormous axles are 5.5 inches in diameter with 18-bolt hubs and also feature unparalleled braking and hydraulic pressure for feel and modulation. It all adds up to greater strength and durability.

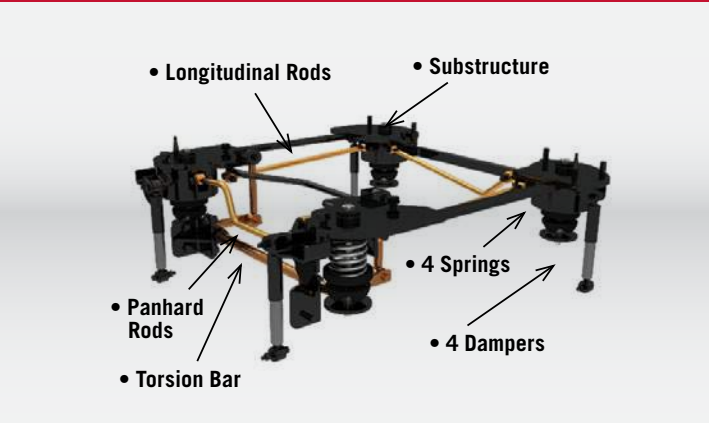


■ **MOST POWERFUL WHEELS ON THE MARKET.**

It's one thing to produce a lot of horsepower. The Nebraska Tractor Test Laboratory proved the Steiger 620 wheeled tractor does that better than any other and the Steiger 580 set the second-highest drawbar fuel economy ever recorded. But, what really matters, and where the Steiger lineup excels, is moving this industry-leading power efficiently throughout the tractor and, ultimately, to the ground and implement being pulled. Superior tractive capabilities using automatic differential locks reduce slippage in difficult field conditions.

COMFORT THAT KEEPS YOU GOING, IN ANY CONDITIONS.

Comfort is a priority when you spend long days in the field. Thanks to input from our customers, we are always advancing features in the Steiger Surveyor™ cab, the largest, and one of the most comfortable cabs in the industry on a row crop chassis. The cab is quieter than previous models and includes added noise reduction enhancements, so you can talk on your phone or multitask as needed to run your business. Case IH Steiger tractors work for you with a cab that allows greater freedom of movement in your seat for uncompromised operator visibility and engineering that stabilizes your ride. All with controls that are in your reach and easy to use.



HARD WORK SHOULDN'T BE A PAIN IN THE NECK.

- The Case IH industry-leading 40-degree right-hand swivel seat in Steiger tractors provides an **exclusive 360-degree full field of vision** that keeps operators from having to strain their neck all day.
- The cab, radio and HVAC controls are on the upper right, too, so everything is within easy reach.
- The **AFS AccuGuide autoguidance system** frees the operator up to look back and check on implement operations. The seat and controls design makes doing work easier on the body, so it can stay productive longer.

CRUISE THROUGH LONG DAYS IN THE INDUSTRY'S FIRST SUSPENDED CAB.

- **Exclusive 4-point cab suspension** stabilizes front-to-back, side-to-side and up-and-down motions.
- Enjoy a smooth ride regardless of terrain with **shock-absorbing components** at each corner of the cab.
- A combination of springs, dampers and mounts fully isolate the cab from chassis-created vibrations.
- The **fully suspended four-post cab suspension system** eliminates repeated jarring and bouncing.

EVERY VITAL TRACTOR OPERATION. ONE SIMPLE CONTROLLER.

- **Case IH MultiFunction Control Handle** puts 85 percent of the controls operators use most at their fingertips.
- Adjust speed, gears, direction and much more without even raising an elbow.
- MultiFunction Control Handle features large raised backlit buttons with a distinct touch.
- **Exclusive**, separately activated front and rear **automatic differential locks** help maintain control through tough spots while reducing in-field compaction. This standard feature automatically engages and disengages, ensuring ease of use.



A Instructional Seat

B **Exclusive** Footrest Pegs

C **Exclusive** Heated and Cooled Ventilated Seat with Slide-Out Cushion for Leg Support

D Accelerator Pedal

E MultiFunction Control Handle for Engine Speed, Gear, Shuttle, Hitch and Hydraulic Remotes

F Preset Buttons

G Sensitivity Buttons

H **Exclusive** Split-Throttle

I Automatic Productivity Management (APM) Thumb Wheel Control

J Instrument Cluster

K AFS Pro 700 Display

L MultiControl Armrest

M Flip-Open Cover for Additional Hitch and Hydraulic Controls

N Automatic Differential Lock Button

Additional Features Not Shown:

Exclusive Carpeted Floor Option

TURN POTENTIAL INTO PROFIT WITH CASE IH ADVANCED FARMING SYSTEMS.

All telematics hardware is standard and includes factory-installed AFS components. Integrating AFS with the tractor at the Case IH plant ensures your tractor arrives closer to field-ready when it gets to the dealer because you don't have to wait for a technician to install additional components. You also benefit from the added capability of using the single-screen AFS Pro 700 display with Case IH or third-party implements.



STEIGER TRACTORS AND AFS — INNOVATION ENGINEERED FOR PERFORMANCE.

At Case IH, we don't develop new technology just for technology's sake. We develop it to make operations like yours more productive and profitable. You'll see this philosophy at work in the latest crop of AFS enhancements.

- Standard in Steiger tractors, the **Advanced Steering system with Advanced Guidance Line Acquisition** provides 20 percent faster and smoother line acquisition for better engagement that results in more precise end or row turns and reduced overlap.
- Every Steiger tractor comes factory-equipped with telematics hardware to tap into leading cellular RTK networks using NTRIP cellular guidance correction or 2-way data transfer. This allows producers to transmit data via a wireless connection to the AFS Connect portal and/or link with a supported agronomic software provider via AFS Connect Data Sharing.
- **Optional AFS AccuTurn automated headland turning** provides hands-free, automatic and repeatable turns for increased productivity. Whether navigating square or irregular fields, AFS AccuTurn automatically controls the entire headland-turning process with **industry-leading path-planning logic** that pays off throughout the growing season.

PRECISION COMPONENTS THAT MATCH THE WAY YOU FARM.

With the **AFS Pro 700 display**, you benefit from added capabilities with minimal complexity. It is a one-stop shop for total machine and implement control.

- Easy to read in daylight and adjusts for night visibility.
- Features one of the **largest screens in the industry** in a lighter, thinner package, with more computing power than its predecessor.
- **Single touch-screen display** provides control functionality and simple integration for not only the tractor autoguidance, but Case IH Early Riser planters, Precision Disk™ air drills and Precision Air™ carts, AFS AccuControl third-party controlled implements and ISOBUS-compliant implements, just to name a few.

"We've got operators that aren't the best on the ends of the fields and can't get lined up. It's just one of those tools that makes that operator be an A-plus operator."

— **Randall Reiman**
Alberta, Canada



STRAIGHT. IDENTICAL. REPEATABLE. AFS ACCUGUIDE.

This is what a producer expect an autoguidance system to deliver. And **AFS AccuGuide does**. In addition to production accuracy and efficiency, it also adds up to less stress and fatigue at the end of the day.

- **Eliminate the guesswork of row spacing** by ensuring each row is identical, meaning fewer end-of-row turns and overlaps.
- Maintain perfectly straight and repeatable rows, even in reverse, with **RTK accuracy**.
- Control traffic patterns and decrease compaction from overlapping passes — benefits that bring higher yields.
- Steiger tractors offer the **industry's first full autoguidance system in reverse** for articulated 4WD tractors, perfect for irregular-shaped fields and point rows.
- Case IH offers numerous correction signals at various price points to cater to each operation's needs.

SOFTWARE THAT HELPS ANALYZE PRODUCTION.

AFS software pulls together numerous sources of data about the farm and gives the information needed to consider how things are changing. Perhaps best of all, it's information producers own, and can decide how to use it.

- Using **customizable and configurable screens**, layer yield and moisture maps over aerial photographs and compile additional useful information with precision farming help from third-party information providers.
- **Adapt charts, graphs and layered maps** for further analysis of variety/hybrid, plant population and soil topography.
- **Create boundaries and autoguidance lines**, and compare farming practices and field-to-field yields from year to year.



Technology in the field.



FIELD PREPARATION

Control input, fuel and labor costs while creating a high-efficiency seedbed. Section and rate control reduce over-application and waste while AFS AccuTurn, automated headland turning and AFS AccuGuide™ autoguidance minimize overlap and create a path for your planter to perfectly place each seed. Increase productivity by coordinating machines for refueling and refilling inputs – and add hours to a short preparation window.



DATA MANAGEMENT.

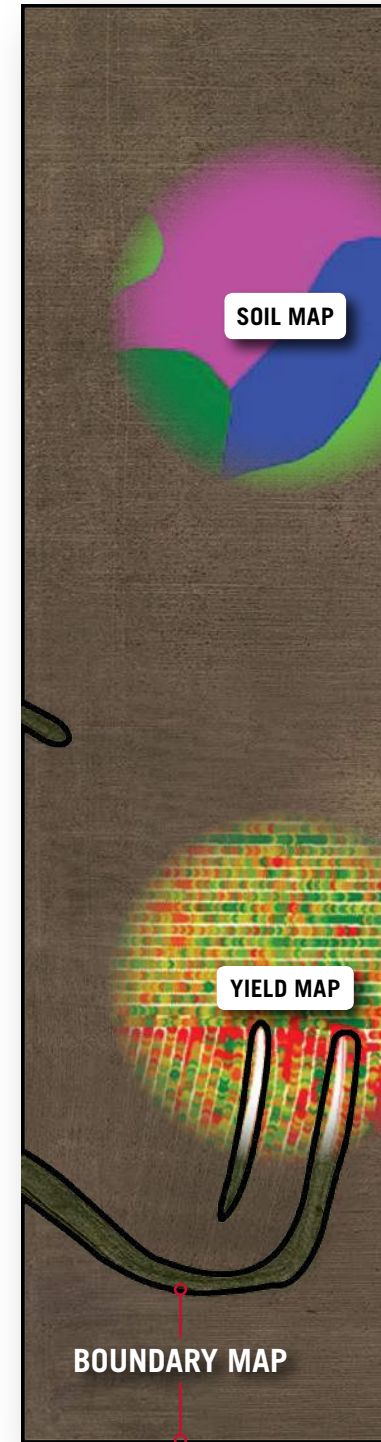
■ AFS Mapping and Records (AFS)

Overlay yield and soil maps to determine the best use of inputs for a particular field. Then, generate a prescription that can be sent directly to the machine using Data Sharing.

- **Soil Map.** Analyze field soil make-up to help determine which fertilizer to use and how much.
- **Yield Map.** Analyze previous years' yield maps to help determine input amounts in any given location in the field for maximized yield potential.
- **Prescription Map.** Generate a prescription map using yield and soil data to maximize an entire field's growing potential while minimizing input costs. Transfer the prescription directly to the machine using Data Sharing with AFS Connect.
- **As-Applied Map.** Record exactly what is being applied during application and generate a map for personal records and future analysis.
- **Vehicle Performance Map.** Use the Trip Computer software in the AFS Pro 700 display to create maps of fuel economy with Case IH tractors to help make management decisions. For example, compare fuel usage at different tillage depths.
- **Boundary Map.** Create interior and exterior boundaries of the fields, such as waterways, terraces, etc. Additional data gained with boundary maps include section control outside the inner or outer boundary, total amount of acres in a field, acres covered, acres remaining and time remaining in the field.

■ Data Sharing (AFS Connect)

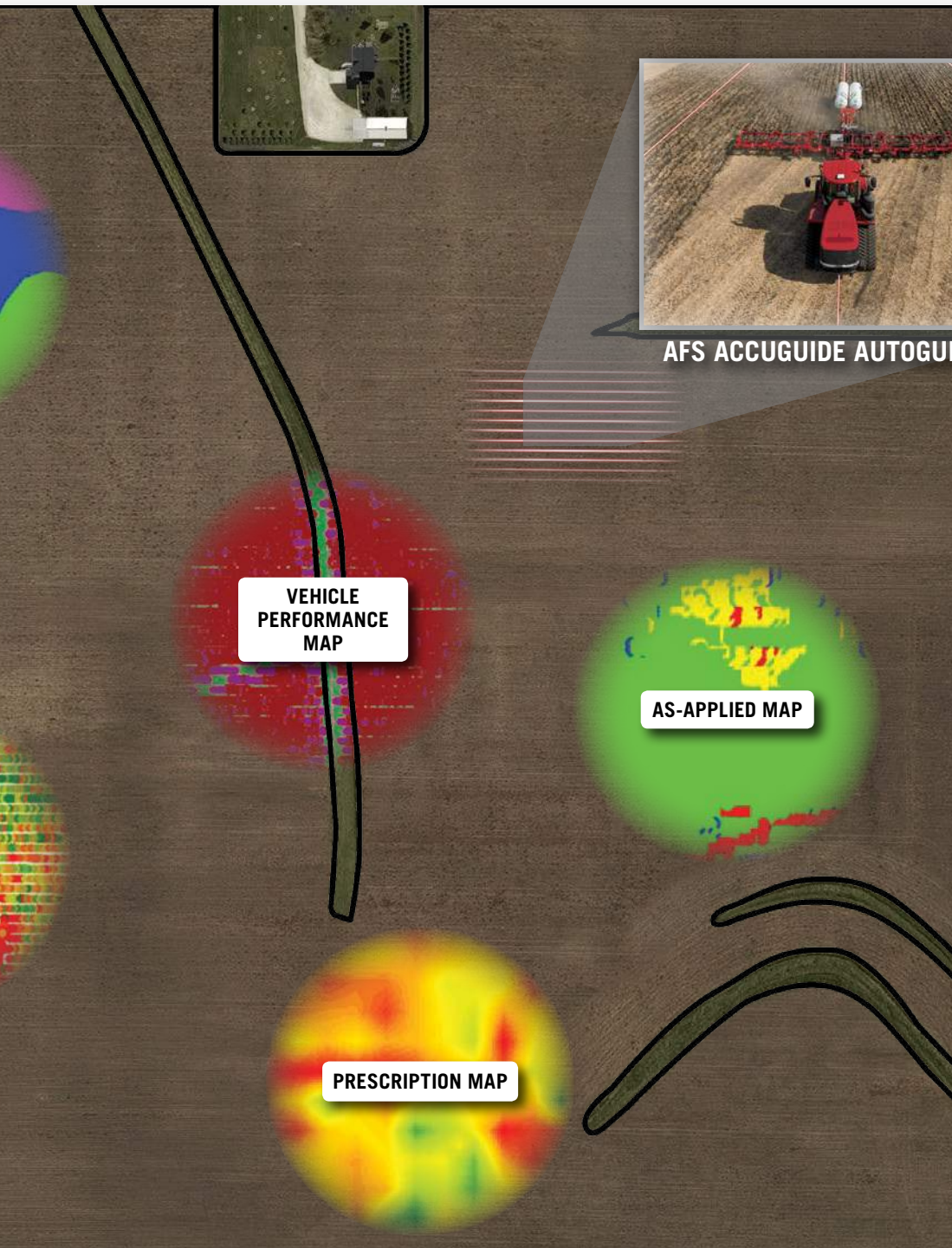
Upload agronomist prescriptions directly to the machines, and send as-applied maps wirelessly to a home office or agronomist.



SOIL MAP

YIELD MAP

BOUNDARY MAP



EQUIPMENT EFFICIENCIES.

- **AFS AccuGuide Autoguidance (AFS)**
Make fewer passes in the field and ensure accurate coverage with minimized skips and overlaps. Utilize one of the many guidance patterns available to reduce operator fatigue and increase efficiency.
- **AFS AccuTurn (AFS)**
Increase efficiency and decrease operator fatigue while using AFS AccuTurn for field preparation. AFS AccuTurn ensures an implement is entering and exiting the field square for maximum agronomic benefits.
- **ISO Task Controller (AFS)**
Perform prescription control, section control and as-applied mapping precision farming functionality with ISOBUS-compliant implements (both Case IH and competitive) through the AFS Pro 700 display.
 - **AFS ISOBUS Product Control (AFS)**
Control liquid or dry product (liquid tool bars, slurry, spreaders, sprayers) to minimize input skips and overlap.
- **AFS AccuControl (AFS)**
Add AFS AccuControl components to existing equipment to gain rate and section control functionality through the AFS Pro 700 display.

LOGISTICS OPTIMIZATION

- **Machine Dashboard Monitoring (AFS Connect)**
View machine speed remotely to ensure operator is staying within desired speed range.



- **Vehicle and/or Implement Data Monitoring (AFS Connect)**
Improve fuel efficiency by analyzing machine performance data with a trusted adviser.
- **Cellular RTK Guidance (NTRIP) (AFS Connect)**
Use for sub-inch repeatable accuracy that's demanded in strip-till applications.

Technology in the field.



PLANT & SEED

Follow the precise path of your tillage using AFS AccuTurn and AFS AutoGuide™ autoguidance to perfectly place each seed for maximum productivity. Reduce plant crowding with automatic row-by-row overlap control and keep track of what you've planted with AFS Mapping & Records. And when you're not in the driver's seat, view planter and seeder performance remotely and set custom alerts to ensure your equipment is working at peak performance.



DATA MANAGEMENT.

■ AFS Mapping & Records (AFS)

Maximize yield potential and minimize input costs by producing a prescription based on soil characteristics and previous yields. Then, upload the prescription directly to machines using AFS Connect.

- **Soil Map.** Analyze soil characteristics to determine the best population and seeding rates for different soil types or nutrients available.
- **Yield Map.** Analyze previous years' yield map to help determine the best variety, population and seeding rates based on the yield potential in the field.
- **Prescription Map.** Generate a planting or seeding prescription map using previous years' yield data and soil characteristics to maximize yield potential and minimize input costs. Transfer the prescription directly to the machine using Data Sharing with AFS Connect.
- **As-Applied Map.** Generate a map during planting or seeding to record rates for personal records and future analysis.
- **Boundary Map.** Use existing boundary maps to ensure correct seed placement throughout the field and to view information such as total acres planted or seeded, total acres remaining, amount of seed required to complete the field and time remaining.

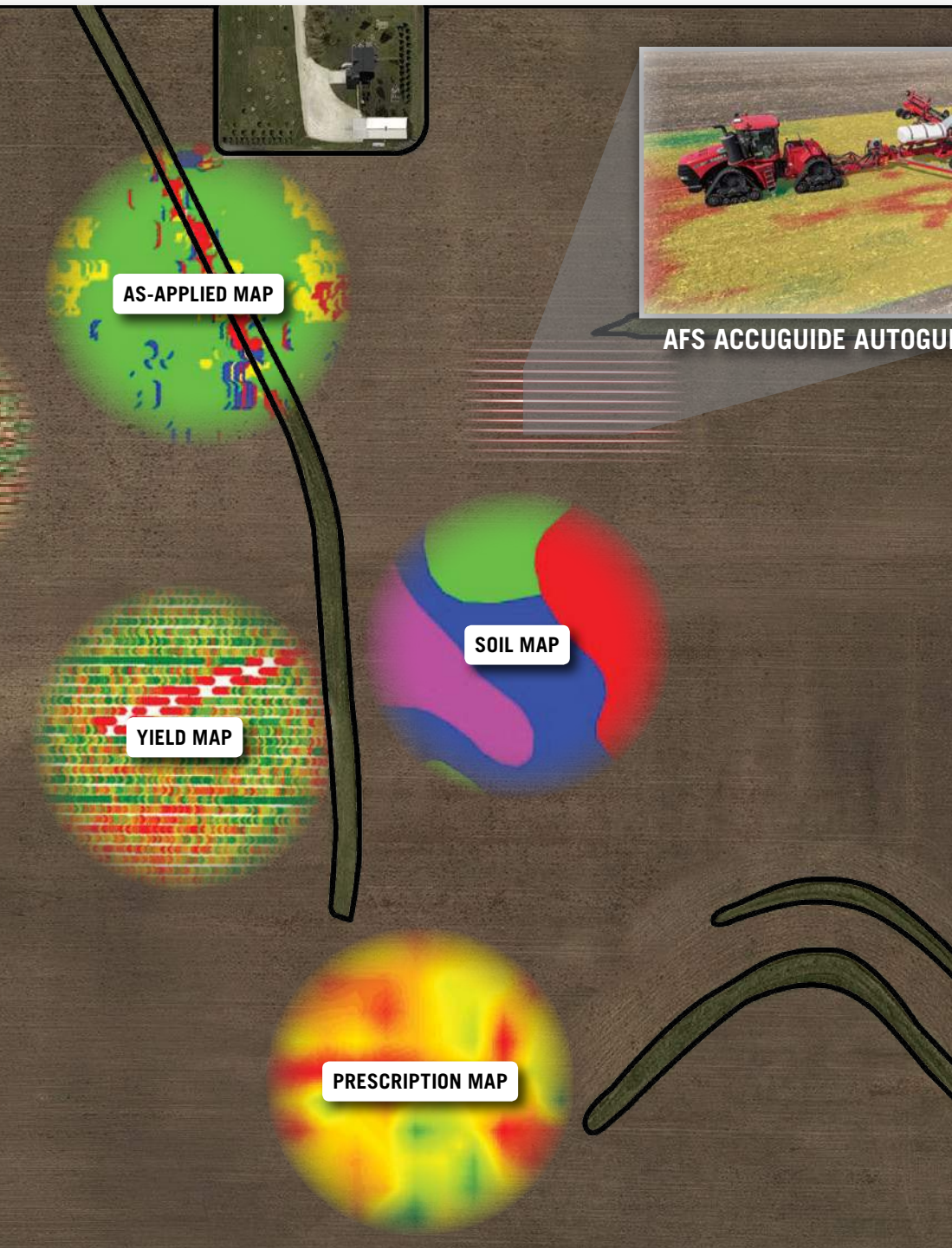
■ Case IH UAV (AFS)

Measure a planter's performance by evaluating stand counts.

■ Data Sharing (AFS Connect)

Transfer prescriptions or as-applied data to home computer or a trusted adviser.





EQUIPMENT EFFICIENCIES.

- **AFS AccuGuide Autoguidance (AFS)**
Minimize skips and overlaps to save on input, fuel and labor — plus, less passes in the field reduce soil compaction. Try the “Headlands Last” guidance pattern.
- **AFS AccuTurn (AFS)**
Ensure that a planter is square after every turn creating uniform spacing between rows that allow for subsequent operations and reduced harvest loss.
- **ISO Task Controller (AFS)**
Perform prescription control, section control and as-applied mapping precision farming functionality with ISOBUS-compliant planters, air carts and drills with mounted tanks through the AFS Pro 700 display.
 - **AFS ISOBUS Product Control (AFS)**
Use to control liquid product for the planter.
- **AFS AccuControl (AFS)**
Add AFS AccuControl components to existing planting and seeding equipment to gain rate and section control functionality through the AFS Pro 700 display.
- **Case IH Factory-Installed Section & Rate Control (AFS)**
Utilize all the agronomic advantages of section and rate control on Case IH equipment with clutches and drive motors.
- **Headlands Last (AFS)**
Allows planting of headlands last for improved uniform plant emergence.

LOGISTICS OPTIMIZATION

- **Machine Dashboard Monitoring (AFS Connect)**
View planter and seeder parameters remotely to ensure proper seed placement.
- **Fleet Management (AFS Connect)**
Coordinate machine logistics to efficiently manage refueling, refilling and maintenance during tight planting windows.
- **Custom Alerts (AFS Connect)**
Set alerts to warn if parameters fall outside acceptable ranges — including skips, singulation, doubles and more.
- **Cellular RTK Guidance (NTRIP) (AFS Connect)**
Obtain sub-inch correction guidance accuracy for less overlap and minimized plant crowding.

STEIGER QUADTRAC AND EXCLUSIVE ROWTRAC: INNOVATIVE PRODUCTION ONLY CASE IH OFFERS.

The Case IH Steiger Quadtrac features four individually driven, positive-drive oscillating tracks. Each track puts five axles on the ground, so it can bend and flex gracefully, maintaining constant contact for a great ride, optimal in-row ground pressure, superior flotation and better traction. That ground contact, even on the toughest terrain, isn't just fancy engineering — it's real performance for tough conditions and maximum productivity. And, the undercarriage is maintenance-free with on-the-go track self-tensioning and clear bearing caps for easily checking fluid levels.

THE MOST POWERFUL TRACTORS AVAILABLE ARE ALSO EASY TO STEER.

Industry-leading strength does little good without intuitive control over it. Fortunately, Quadtrac delivers.

- **Articulated steering** of Steiger Quadtrac and Rowtrac tractors operates like a typical 4WD wheeled tractor.
- All four tracks remain on the ground, with equal torque transferred during turning.
- Maneuvers under load with **no loss of traction**. Two-track systems disrupt power transfer during turning.
- Quadtrac steering remains easy and positive under all conditions.



UNMATCHED EFFECTIVENESS WITH FOUR INDEPENDENT TRACKS.

Take a closer look at why four tracks serve an operation better than two:

- Steiger Quadtrac provides better flotation and traction with **four individually driven oscillating tracks** that create more ground contact area.
- Increased contact area minimizes compaction and improves soil tilth.
- **Full power to each track** during turns allows these models to turn tightly without causing berming and pull hard with minimal soil disturbance, maintaining soil health and improving seedbed conditions.
- Proven Quadtrac and Rowtrac designs deliver a clear advantage over all competitive track systems.
- **Exclusive** self-tensioning track system.





POSITIVE-DRIVE SYSTEM DELIVERS MORE DURABILITY AND RELIABILITY.

Continuous power and automatic adjustments are just two of the ways this system works to a producer's advantage.

- **Exclusive Quadtrac five-axle positive-drive design** delivers more usable power a producer can depend on.
- Quadtrac lugs interlock with bars on the drive wheel, **eliminating slippage** between the drive wheel and track.
- **Positive drive delivers continuous power** at all times, even in a wet or slippery spot.
- Unlike friction drives in competitive two-track systems, the Steiger Quadtrac and Rowtrac positive drive adjusts automatically between friction and positive drives, under transport or light loads, which reduces wear, friction and heat — and increases durability.

MAINTENANCE-FREE UNDERCARRIAGE.

It's simple: less time spent keeping a tractor running means more work getting done. We listened to producers and made maintenance as straightforward and as simple as possible.

- **Completely maintenance-free undercarriage** with **exclusive** self-adjusting track tension and clear-cap sight gauges to easily monitor lube levels, helps producers easily monitor fluid levels.
- In the past, daily undercarriage maintenance on “crawler” tractors could consume large amounts of time and money, minimizing any productivity advantage producers might see.

“We really enjoy the overall performance of the Quadtracs. The horsepower to ground is just amazing. Going from big, large metric tires to the tracks has really helped our compaction in the spring.”

– **Trenton Toftoy**
Newark, Illinois

STEIGER ROWTRAC: INNOVATIVE QUADTRAC TECHNOLOGY FOR ROW CROP APPLICATIONS.

The proven technology of Quadtrac tractors brings Case IH innovation to row crop configurations. Steiger Rowtrac tractors provide more options, greater flexibility and are among the highest horsepower-tracked machines available to row crop producers. So whether you are farming in 20-, 22-, 30- or 40-inch rows, Case IH has row crop track widths and axle configurations to match your needs, including post-emergence applications. And the new CVXDrive CVT offers producers more precision and accuracy than ever before.



Row Crop Spacing	Rowtrac Operating Width	Rowtrac Track Widths
20-inch rows	Standard 80 in. (203.2 cm)	16 in. (40.64 cm)
22-inch rows	88 in. (223.52 cm)	16, 18 in. (40.64, 45.72 cm)
30-inch rows	120 in. (304.8 cm)	16, 18, 24 in. (40.64, 45.72, 60.96 cm)
40-inch rows	Standard 80 in. (203.2 cm)	16, 18, 24, 30 in. (40.64, 45.72, 60.96, 76.2)





Rowtrac

Quadtrac



UNIQUE SUSPENSION DESIGNED FOR ROW CROPS.

- **Exclusive Rowtrac design** fits in a very narrow undercarriage width.
- On each end of the roller beam, a mount controls pitch, roll and yaw, along with some vertical load. Two mounts in the center handle the primary vertical load. Rowtrac features a **vertical suspension system** that uses rubber “donuts” that act like shock absorbers. They keep the tracks on the row and the suspension from shifting side to side.

LONGER WHEELBASE = MORE GROUND CONTACT = MORE FLOTATION.

- Wheelbase extended from 148 to 160 inches. Each track has more ground contact, resulting in better transfer of power to the ground.
- Rowtrac design delivers less ground pressure, reduced compaction and the most comfortable ride in the industry.

MOVE FROM FIELD TO FIELD WITH EASE.

The Steiger Rowtrac tractor provides increased traction in a narrow footprint to perform well in a variety of applications, including:

- Primary tillage
- Seedbed preparation
- Planting
- Seeding
- Post-emergence applications
- Sidedressing
- Fertilizing
- Chemical application
- Steiger Rowtrac tractors provide the same amount of traction as Steiger wheel tractors with less overall field compaction.
- Easily travels from field to field for multiple applications.

CVXDRIVE: NEW OPPORTUNITIES FOR YOUR OPERATION.

Once the operating range is set on the new Case IH CVXDrive continuously variable transmission, the operator is free to focus on the application and improving performance. With the CVXDrive, operators can:

- Work with constant ground speed to maintain more power to the ground, even at speeds as low as 3 feet per minute.
- Dial in the exact speed.
- Rely on continuous hydraulic flow to ensure planting accuracy.

“I was impressed with the width and spacing on the tracks for sure, and still being able to go with a narrow track and light ground pressure, and still incredibly smooth feel.”

– **Jason Friesen**
Quill Lake, Saskatchewan

MAXIMUM UPTIME IS ALWAYS ON OUR MIND. BECAUSE IT'S ALWAYS ON YOURS.

Planting and harvesting seasons don't wait for downtime. To get maximum yields, you need to stay up and running. Steiger tractors are designed to keep you there. From the rugged frame construction to the heavy-duty powertrain. And Case IH dealers are certified to maintain every component of your tractor, including the engines. When you buy a Steiger tractor, we want you to use it. Not wait for it to be usable.



A HEAVY-DUTY FRAME WITH TRI-POINT OSCILLATION FOR THE MOST DEMANDING WORK.

Steiger tractors have always featured a frame that's built of ½-inch-thick steel and a longer wheelbase with built-in weight for better traction. High-horsepower jobs put tremendously demanding forces on a tractor. Steiger tractors perform so well they're used worldwide in construction applications because they're the toughest tractors around. That's durability you can use for the demanding jobs on your farm. Steiger tractors are designed with equal front-to-rear weight distribution that provides you optimal power to the ground and can be adapted to meet your specific needs and application. Work with your dealer to tailor your Steiger tractor with factory-supplied weight packages to maximize your performance in your application. And see for yourself at www.caseih.com/weightingandballasting.

QUICK AND EASY DAILY MAINTENANCE.

- All transmission, hydraulic/axle and engine fluids are serviced at ground level.
- **Exclusive 600-hour engine oil change intervals.**
- A **right-hand service door and ladder** make it easy to service components in and on the cab, clean cab glass and communicate with someone outside the right side of the tractor. The right-hand service door also provides access to the electrical cutoff switches during tractor storage.

THE PROOF IS IN THE FINISH.

- Upgraded paint quality — **Class 6 automotive-grade paint** provides **50 percent longer life and less fading**, increasing your resale value.

A FUEL TANK THAT LASTS AS LONG AS THE TRACTOR.

- A **470-gallon fuel tank** holds enough fuel for **15 hours of nonstop work.**
- Structural steel fuel tank is built right into the frame, adding extra strength and durability to the chassis.

FLEET-FRIENDLY FLUID OPTIONS.

Thanks to fluid formations from Case IH, equipment owners need only stock three key fluids for their fleets. For example, Case IH Hy-Tran® UltraTrac® can be used in the transmission and hydraulic system of every Case IH machine, including those with CVXDrive transmissions.

Similarly, the Case IH No.1 15W-40 and synthetic SSL 10W-40 engine oils now carry the CK-4 rating, so that it can be stocked as the sole diesel engine oil for mixed fleets, regardless of their emissions equipment.

Actifull® OT coolant is formulated to provide full protection in Case IH Tier 4 B/Final engines to improve engine life.



CASE IH
STEIGER
420



THERE'S MORE THAN JUST OUR TRACTORS WORKING IN YOUR FIELDS.

Our strong Case IH dealer network has more professionals in the field to help you manage your equipment, and maximize your yields and bottom line. Parts and service technicians are ready to assist when you need it — before, during and after the sale. And CNH Industrial Capital will work with you to customize financing solutions that work best for you and your business. It's an integrated equipment, service and financing system in one package. All of it focused on your operation and its unique needs.



KNOWLEDGEABLE DEALERS THAT WORK WITH YOU.

Your **Case IH dealer** understands you need to optimize the return on your investment. That means fitting the right Steiger 370-620 horsepower and capabilities with the tools and implements that best fit your farm. Your dealer can recommend the **appropriate options package**, with proper tracks, tires, weighting and ballasting packages for optimal performance. And your dealer will analyze results with you, field by field.

GENUINE CASE IH PARTS AND SERVICE.

Only **genuine Case IH parts** are made for your machine and designed for peak performance. From our maintenance products and wear parts to entire combine rotor assemblies, the Case IH advantage is apparent. We engineer, manufacture and choose parts based on the **strictest design and testing standards**. And when it comes to service, only your Case IH dealer is trained by the organization that made your machine. Your dealer can spot important maintenance issues before they become costly repairs. Knowledgeable service and special training programs mean you have support to keep working no matter what comes your way during the season.

FINANCING AND EQUIPMENT PROTECTION TAILORED TO CASE IH EQUIPMENT AND YOU.

CNH Industrial Capital is your financial connection every step of the way, and each day we help producers like you get into the right Case IH equipment to support the unique agricultural needs of your business. Specialized finance programs and flexible leasing packages put you in the driver's seat of industry-leading Case IH equipment while staying within your budget. After your purchase, keep your equipment up and running with the **CNH Industrial Capital Productivity Plus Account** for your Case IH parts and service needs, and insure your equipment with our **no-nonsense warranties and comprehensive protection plans**. As the only finance company dedicated to Case IH, we offer the products and services designed to help you Rethink Productivity.

SPECIFICATIONS	370 WHEELED	420 WHEELED / ROWTRAC	470 WHEELED / ROWTRAC / QUADTRAC
ENGINE			
Engine Type	Tier 4 B/Final with SCR-only emissions system		
Engine HP @ Rated RPM per SAE	370 @ 2,000 RPM	420 @ 2,100 RPM	470 @ 2,100 RPM
Peak Engine HP	425 @ 1,900 engine RPM	462 @ 1,900 engine RPM	517 @ 1,900 engine RPM
PTO HP @ Rated Engine Speed	311	355	405
Cylinders / Valves / Displacement	6 cyl. / 24 / 8.7 L (531 cu. in.)	6 cyl. / 24 / 12.9 L (787 cu. in.)	
Engine Aspiration	Electrical variable geometry turbocharger with air-to-air aftercooling	Wastegate turbocharger with air-to-air aftercooling	
Factory-Installed Engine Brake	N/A	Optional	
ELECTRICAL			
Alternator / Battery / Electrical Cutoff Switch	12V 200 amp / two 1,000 cranking amps / Yes		
TRANSMISSION/PTO			
Transmission—Standard / Optional	Full PowerDrive powershift 16F/2R w/16 Hi (25 mph (40 kph)) / CVXDrive™ CVT (25 mph (40 kph))		
PTO—Optional	1,000 rpm—1 3/4 in. shaft		
AXLES			
Rear Axle Diameter	5 in. (127 mm) planetary		
Axle Width *	120 in. (3048 mm)	120 in. (3048 mm) / 90.3 in. (2294 mm)	120 in. (3048 mm)
Wheelbase	148 in. (3759 mm)	148 in. (3759 mm) / 160 in. (4064 mm)	148 in. (3759 mm) / 160 in. (4064 mm) / 154 in. (3912 mm)
Differential Lock	Standard		
HYDRAULICS			
Remote Valves—Standard / Optional	4 / up to 8		
Standard Hydraulic Pump (PFC)—PowerDrive Standard	40 gpm (151 L/min.)	42 gpm (159 L/min.)	
High Flow Hydraulic Pump (PFC) PowerDrive Optional / CVXDrive™ Standard	55 gpm (208 L/min.) / 55 gpm (208 L/min.)	57 gpm (216 L/min.) / 57 gpm (216 L/min.)	
Total Tractor Hydraulic Flow w/ Parallel / Twin Flow Pumps	108 gpm (409 L/min.)	113 gpm (428 L/min.)	
Available Flow at Single Remote Valve	35 gpm (132 L/min.)		
Drawbar—Standard / Optional	5,300 lbs. / 6,000 lbs. or 11,000 lbs.		
3-Point Hitch Category	Cat IV-N (convertible to Cat III)		Rowtrac: Cat IV-N (convertible to Cat III) / Wheeled and Quadtrac: Cat IV-N
Hitch Lift Capacity—Wheeled / Rowtrac / Quadtrac	20,000 lbs. (9071 kg) / 20,000 lbs. (9071 kg) / 20,000 lbs. (9071 kg) / N/A		20,000 lbs. (9071 kg) / 20,000 lbs. (9071 kg) / 19,728 lbs. (8949 kg)
CAPACITIES			
Fuel Tank—Wheeled / Rowtrac / Quadtrac	220 gal. (829 L) or 250 gal. (946 L) / NA / N/A	310 gal. (1170 L) / 250 gal. (946 L) / N/A	310 gal. (1170 L) / 250 gal. (946 L) / 310 gal. (1170 L)
Diesel Exhaust Fluid (DEF) Tank—Wheeled / Rowtrac / Quadtrac	42 gal. (174 L) / 42 gal. (174 L) / N/A		42 gal. (174 L) / 42 gal. (174 L) / 85 gal. (322 L)
Vertical Tongue	up to 11,000 lbs. (4989.5 kg)		
Frame Width—Wheeled / Rowtrac / Quadtrac	36.5 in. (927 mm) / N/A / N/A	36.5 in. (927 mm) / 36.5 in. (927 mm) / N/A	36.5 in. (927 mm) / 36.5 in. (927 mm) / 44 in. (1118 mm)
CAB			
Volume (Size)	132 cu. ft. (3.7 cu. m)		
Glass	88.1 sq. ft. (8.18 sq. m)		
WEIGHTS			
Wheel Models—Base Shipping Weight	38,571 lbs. (17496 kg)	39,820 lbs. (18062 kg)	
Wheel Models—Max. Gross Vehicle Weight	49,500 lbs. (22453 kg)		
Rowtrac Models—Base Shipping Weight	N/A	50,306 lbs. (22818 kg)	
Rowtrac Models—Max. Gross Vehicle Weight	N/A	60,000 lbs. (27216 kg)	
Quadtrac Models—Base Shipping Weight	N/A	N/A	51,263 lbs. (23416 kg)
Quadtrac Models—Max. Gross Vehicle Weight	N/A	N/A	64,000 lbs. (29630 kg)

*All wheeled Steiger tractors have bar axles and all Quadtrac and Rowtrac Steiger tractors have flanged axles.

SPECIFICATIONS	500 WHEELED / ROWTRAC / QUADTRAC	540 WHEELED / QUADTRAC	580 WHEELED / QUADTRAC	620 WHEELED / QUADTRAC
ENGINE				
Engine Type	Tier 4 B/Final with SCR-only emissions system			
Engine HP @ Rated RPM per SAE	500 @ 2,100 RPM	535 @ 2,100 RPM	580 @ 2,100 RPM	620 @ 2,100 RPM
Peak Engine HP	550 @ 1,900 engine RPM	605 @ 1,900 engine RPM	638 @ 1,900 engine RPM	682 @ 1,900 engine RPM
PTO HP @ Rated Engine Speed	435		473	
Cylinders / Valves / Displacement	6 cyl. / 24 / 12.9 L (787 cu. in.)			
Engine Aspiration	Wastegate turbocharger with air-to-air aftercooling	Two-stage turbocharging with air-to-water intercooling and air-to-water aftercooling		
Factory-Installed Engine Brake	Optional			
ELECTRICAL				
Alternator / Battery / Electrical Cutoff Switch	12V 200 amp / two 1,000 cranking amps / Yes	12V 200 amp / two 12V 240 amp / N/A		
TRANSMISSION/PTO				
Transmission—Standard / Optional	Full PowerDrive powershift 16F/2R w/16 Hi (25 mph (40 kph)) / CVXDrive™ CVT (25 mph (40 kph))		Full PowerDrive powershift 16F/2R w/16 Hi (25 mph (40 kph)) / N/A	
PTO—Optional	1,000 rpm—1 3/4 in. shaft			
AXLES				
Rear Axle Diameter	4.5 in. (114 mm) compound planetary/flanged		5.5 in. (140 mm) compound planetary/flanged	
Axle Width *	120 in. (3048 mm) / 90.3 in. (2294 mm)			
Wheelbase	154 in. (3912 mm) / 160 in. (4064 mm) / 154 in. (3912 mm)		154 in. (3912 mm)	
Automatic Differential Lock	Standard			
HYDRAULICS				
Remote Valves—Standard / Optional	4 / up to 8			
Standard Hydraulic Pump (PFC)—PowerDrive Standard	42 gpm (159 L/min.)			
High Flow Hydraulic Pump (PFC) PowerDrive Optional / CVXDrive™ Standard	57 gpm (216 L/min.) / 57 gpm (216 L/min.)		57 gpm (216 L/min.) / N/A	
Total Tractor Hydraulic Flow w/ Parallel / Twin Flow Pumps	113 gpm (428 L/min.)			
Available Flow at Single Remote Valve	35 gpm (132 L/min.)			
Drawbar—Standard / Optional	5,300 lbs. / 6,000 lbs., or 11,000 lbs.		11,000 lbs. / 15,000 lbs.	
3-Point Hitch Category	Rowtrac: Cat IV-N (convertible to Cat III)/ wheeled and Quadtrac: Cat IV-N		Cat IV-N	
Hitch Lift Capacity—Wheeled / Rowtrac / Quadtrac	19,620 lbs. (8900 kg) / 20,000 lbs. (9071 kg) / 19,728 lbs. (8949 kg)		19,620 lbs. (8900 kg) / N/A / 19,728 lbs. (8949 kg)	
CAPACITIES				
Fuel Tank	310 gal. (1170 L) / 250 gal. (946 L) / 310 gal. (1170 L)	310 gal. (1170 L)	455 gal. (1722 L) / 470 gal. (1779 L)	
Diesel Exhaust Fluid (DEF) Tank	66 gal. (250 L) / 42 gal. (174 L) / 85 gal. (322 L)	66 gal. (250 L) / 85 gal. (322 L)		
Vertical Tongue	up to 15,000 lbs. (6804 kg)			
Frame Width	44 in. (1118 mm) / 36.5 in. (927 mm) / 44 in. (1118 mm)		44 in. (1118 mm)	
CAB				
Volume (Size)	132 cu. ft. (3.7 cu. m)			
Glass	88.1 sq. ft. (8.18 sq. m)			
WEIGHTS				
Wheel Models—Base Shipping Weight	44,290 lbs. (20090 kg)	46,340 lbs. (21012 kg)	50,328 lbs. (22828 kg)	
Wheel Models—Max. Gross Vehicle Weight	56,000 lbs. (25401 kg)	56,000 lbs. (22401 kg)	66,000 lbs. (29937 kg)	
Rowtrac Models—Base Shipping Weight	50,306 lbs. (22818 kg)	N/A		
Rowtrac Models—Max. Gross Vehicle Weight	60,000 lbs. (27216 kg)	N/A		
Quadtrac Models—Base Shipping Weight	51,623 lbs. (23416 kg)	52,621 lbs. (23868 kg)	53,503 lbs. (24629 kg)	
Quadtrac Models—Max. Gross Vehicle Weight	64,000 lbs. (29030 kg)			

*All wheeled Steiger tractors have bar axles and all Quadtrac and Rowtrac Steiger tractors have flanged axles.

SAFETY NEVER HURTS!™ Always read the Operators Manual before operating any equipment. Inspect equipment before using it, and be sure it is operating properly. Follow the product safety signs, and use any safety features provided. CNH Industrial America LLC reserves the right to make improvements in design and changes in specifications at any time without notice and without incurring any obligation to install them on units previously sold. Specifications, descriptions and illustrative material herein are as accurate as known at time of publication, but are subject to change without notice. Availability of some models and equipment builds varies according to the country in which the equipment is used.

©2017 CNH Industrial America LLC. All rights reserved. Case IH is a trademark registered in the United States and many other countries, owned by or licensed to CNH Industrial N.V., its subsidiaries or affiliates. Any trademarks referred to herein, in association with goods and/or services of companies other than CNH Industrial America LLC, are the property of those respective companies. Printed in U.S.A. www.caseih.com CIH1707105



CASE IH
AGRICULTURE